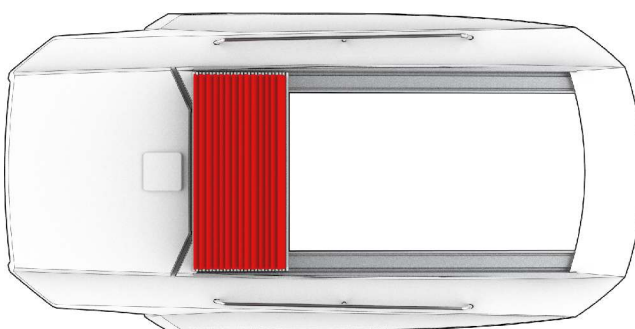
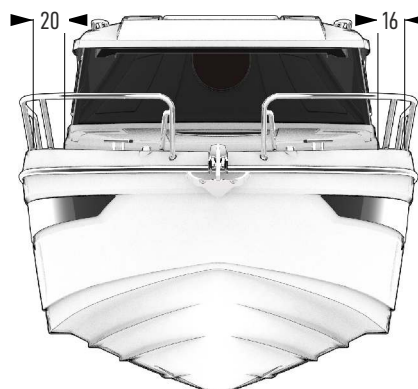


Optional roof



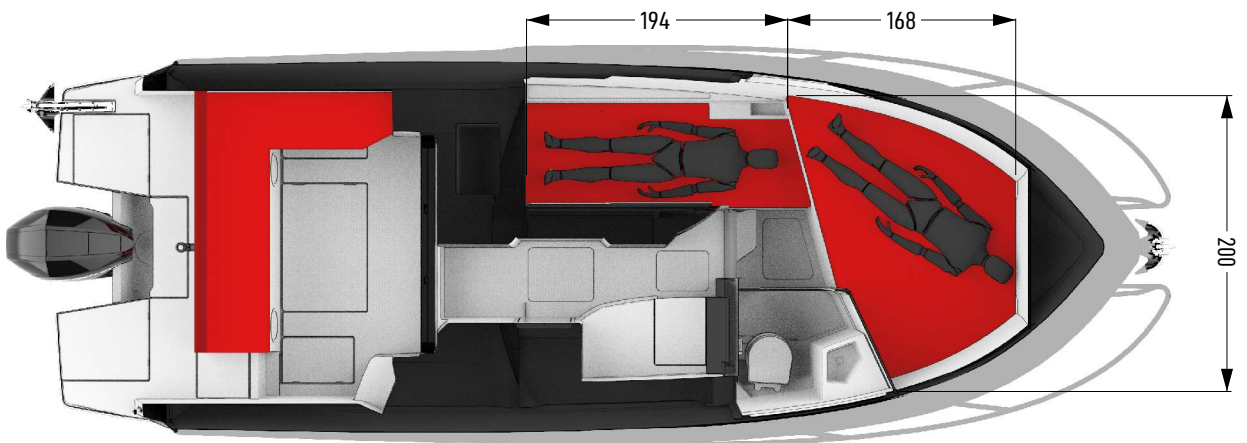
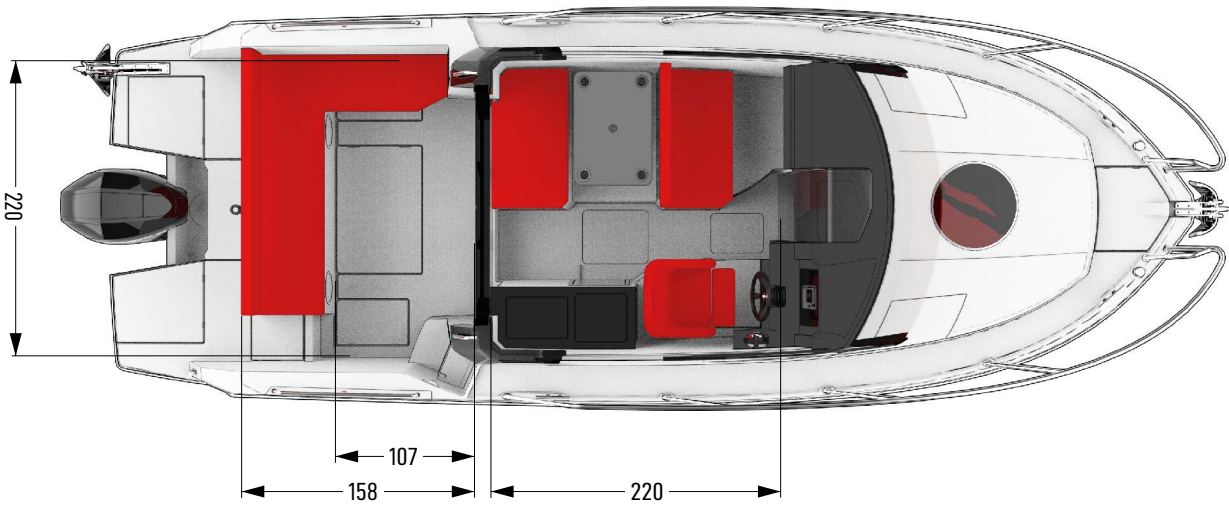
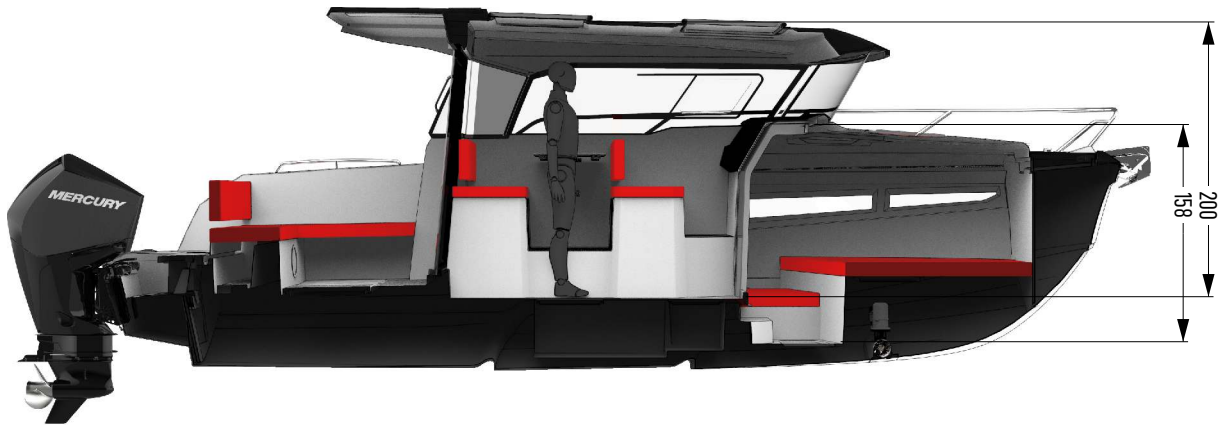
## Datasheet

Length overall (LOA)	8.44 m
Hull Length	6.99 m
Beam (BOA)	2.87 m
Total height with engine **	3.00 m
Height from waterline **	2.25 m
Height from waterline	2.25 m
Draught w/o engine	0.45 m
Weight w/o engine	2450 kg
Max load	1260/1410 kg
Persons	8/10
Classification	B/C
Maximum engine power	350 HP
Fuel tank capacity	230 L
Fresh water tank capacity	100 L



\* All images are perspective views. Do not use for reference.  
 \*\* Without accessories.

# 790 Explorer



\* All images are perspective views. Do not use for reference.